

MATERIAL MUST BE ACCORD WITH RoHS STANDARD

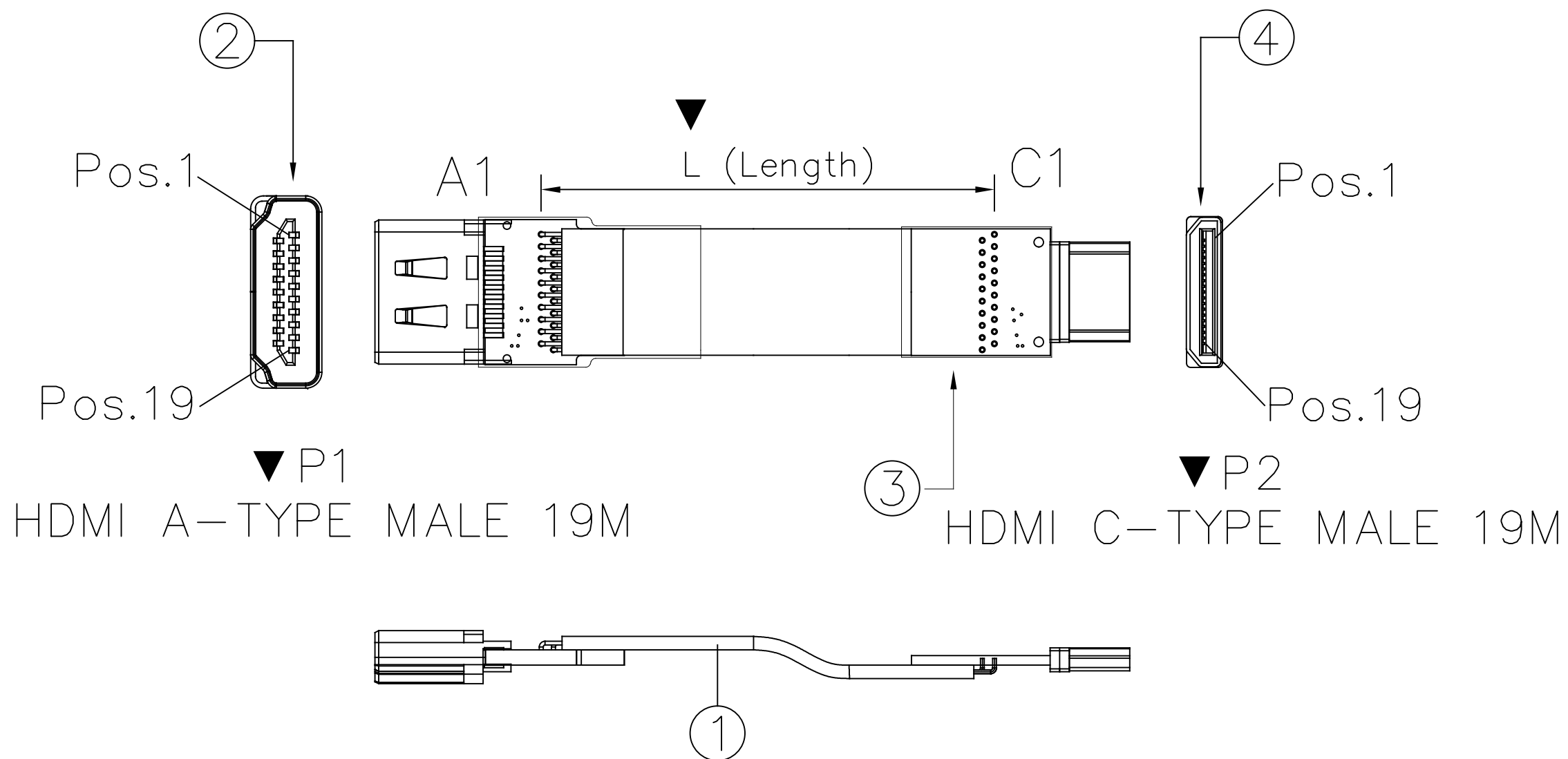
| | | | |
|------------|---------------------|----------------|------------|
| 版本 REV. | 变更内容 DESCRIPTION | 变更号 ECN No. | 日期 DATE |
| 1.0 | ISSUE | REL | 2019-06-24 |

NOTE

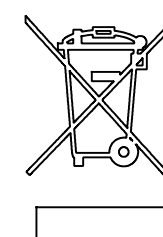
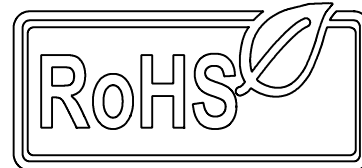
1.100% HDMI2.0 4K@60Hz 18Gb/s TEST.
2.DIMSION MARK "▼" BY QC CHECK.

PIN OUT

| P1 HDMI A-TYPE 19M | | P2 HDMI C-TYPE 19M | |
|-----------------------|----------------------|-----------------------|-----------------------|
| 1 | TMDS Data2+ | 1 | TMDS Data2 Shield |
| 2 | TMDS Data2 Shield | 2 | TMDS Data2+ |
| 3 | TMDS Data2- | 3 | TMDS Data2- |
| 4 | TMDS Data1+ | 4 | TMDS Data1Shield |
| 5 | TMDS Data1 Shield | 5 | TMDS Data1+ |
| 6 | TMDS Data1- | 6 | TMDS Data1- |
| 7 | TMDS Data0+ | 7 | TMDS Data0 Shield |
| 8 | TMDS Data0 Shield | 8 | TMDS Data0+ |
| 9 | TMDS Data0- | 9 | TMDS Data0- |
| 10 | TMDS Clock+ | 10 | TMDS Clock Shield |
| 11 | TMDS Clock Shield | 11 | TMDS Clock+ |
| 12 | TMDS Clock- | 12 | TMDS Clock- |
| 13 | CEC | 13 | DDC/CEC Ground |
| 14 | Reserved (N.C.) | 14 | CEC |
| 15 | SCL | 15 | SCL |
| 16 | SDA | 16 | SDA |
| 17 | DDC/CEC Ground | 17 | Reserved (N.C.) |
| 18 | +5V Power | 18 | +5V Power |
| 19 | Hot Plug Detect/HEAC | 19 | Hot Plug Detect/HEAC- |



| | |
|-------------|-------------|
| HA1C1-5cm | 50±5 |
| HA1C1-10cm | 100±5 |
| HA1C1-15cm | 150±5 |
| HA1C1-20cm | 200±10 |
| HA1C1-25cm | 250±10 |
| HA1C1-50cm | 500±20 |
| HA1C1-100cm | 1000±20 |
| HA1C1-150cm | 1500±20 |
| HA1C1-200cm | 2000±30 |
| Part-Number | Length (mm) |



ADT-LINK

| | | | |
|---|--------------|-------------------------------|----------------|
| TITLE: HDMI Extension CABLE L=5~200cm | | DWG NO.: ADT-HA1-HC1-001 | |
| | | CUSTOMER NO.: ADT | |
| | | CUSTOMER P/N: HA1C1-xxxxcm | |
| SCALE NONE | UNIT mm | CUS REV. 1.0 | HY REV. 1.0 |
| DATE 2019-06-24 | SHEET 1/1 | | |
| DRAWING/制图 | | CHECKED/审核 | |
| APPROVED/核准 | | | |

| No. | PART NO. | DESCRIPTION | Q'TY |
|-----|-----------|--|------|
| 4 | Connector | HDMI C type Flat mount (180°) Connetor | 1Pcs |
| 3 | TUBE | Heat-Shrinkable T bush | 2Pcs |
| 2 | Connector | HDMI A type Flat mount (180°) Connetor | 1Pcs |
| 1 | CABLE | HDMI FLAT CABLE,(WIRE20P=30AWG×12P,28AWG×8P),PE JACKET: BLACK,OD=1.1×13.2mm (95±15Ω),TPE | 1Pcs |